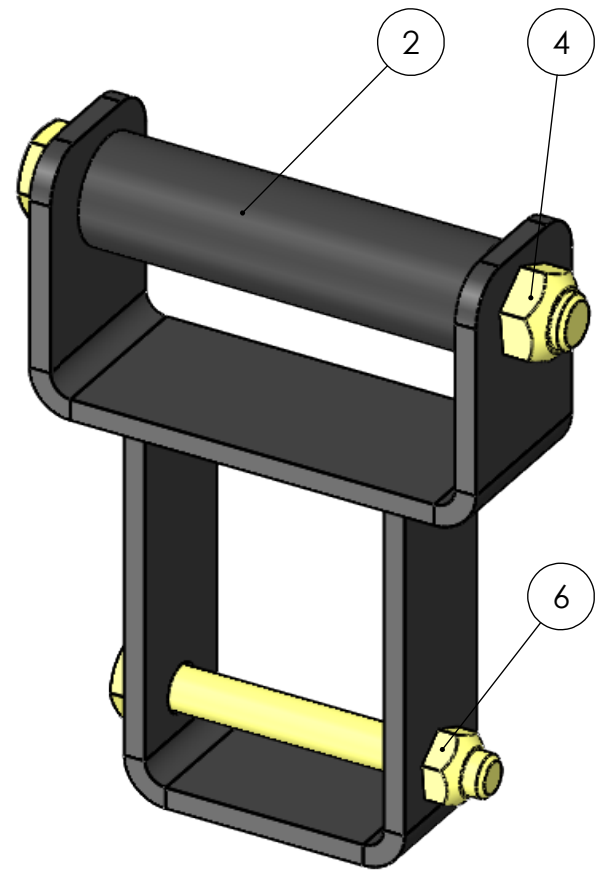
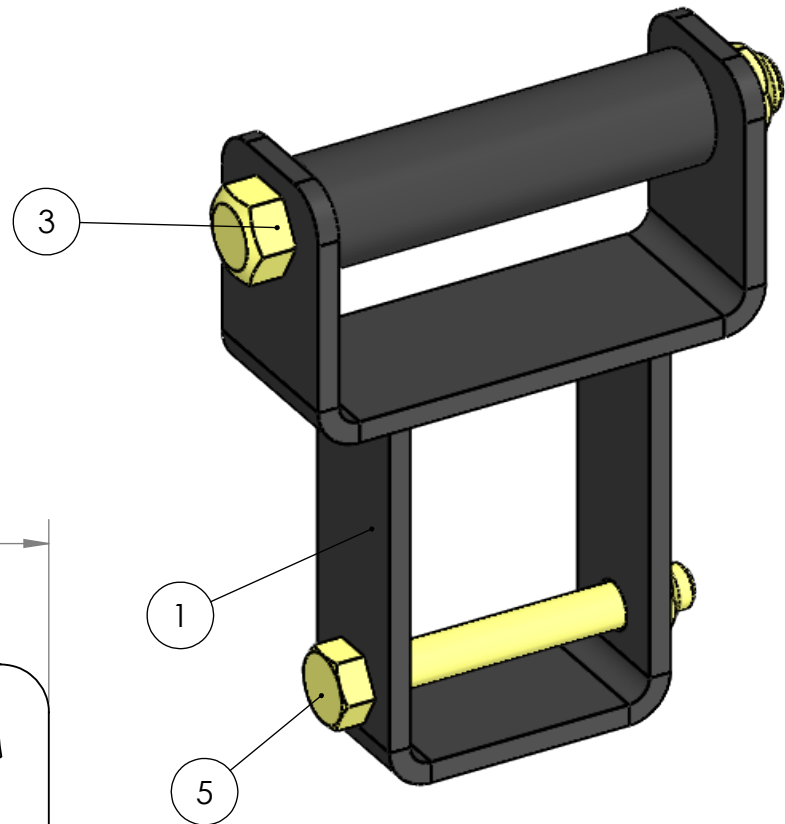
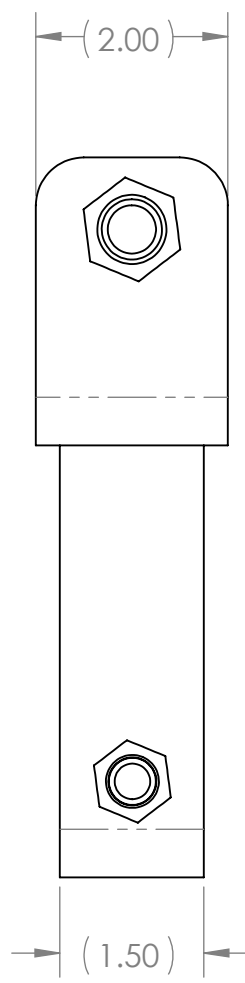
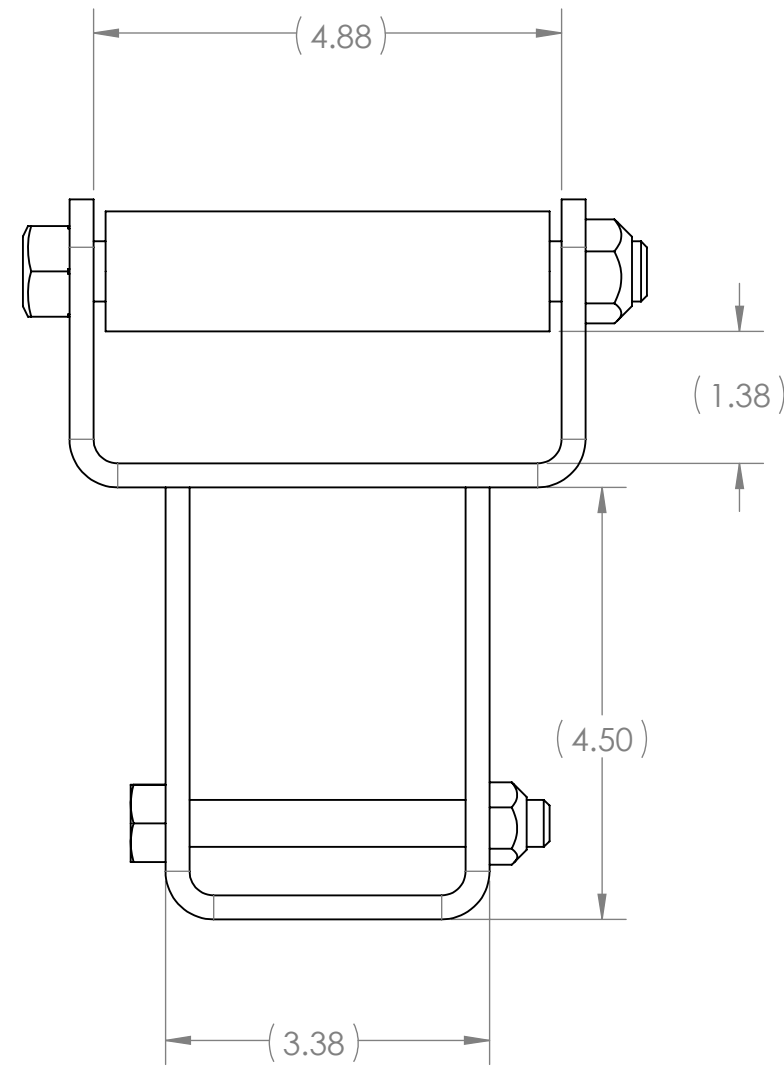


REVISIONS			
REV.	DATE	REVISION	APPROVED



ITEM NO.	PART OR IDENTIFYING NO.	NOMENCLATURE OR DESCRIPTION	MATERIAL SPECIFICATION	QTY REQD
6	HM53	1/2" STEEL HEX LOCKNUT	GR.5	1
5	CS5040	1/2" x 4" LG HEX CAP SCREW	GR.5	1
4	HM65	5/8" STEEL HEX LOCKNUT	GR.5	1
3	CS6260	5/8" x 6" LG HEX CAP SCREW	GR.5	1
2	SW10	WINCH ROLLER	STEEL	1
1	RWB487	ROLLER WINCH BRACKET	STEEL	1

UNLESS OTHERWISE SPECIFIED:
 DIMENSIONS ARE IN INCHES
 TOLERANCES:
 FRACTIONAL ± 1/32
 ANGULAR: MACH ± 1° BEND ±
 TWO PLACE DECIMAL ±.060
 THREE PLACE DECIMAL ±.030

INTERPRET GEOMETRIC TOLERANCING PER:
 MATERIAL
 FINISH

DO NOT SCALE DRAWING

NAME	DATE
DRAWN LW	JUN 3/20
CHECKED	
ENG APPR.	
MFG APPR.	
Q.A.	

PROPRIETARY AND CONFIDENTIAL
 THE INFORMATION CONTAINED IN THIS DRAWING IS THE SOLE PROPERTY OF POWER PIN INC. ANY REPRODUCTION IN PART OR AS A WHOLE WITHOUT THE WRITTEN PERMISSION OF POWER PIN INC. IS PROHIBITED.

POWER PIN INC.

TITLE:
**SWIVEL WINCH ROLLER
 5500 LB. W.L.L.**

SIZE B	DWG. NO. SWR487	REV 0
------------------	---------------------------	-----------------

SCALE: 1:2 WEIGHT: 4.0 LB SHEET 1 OF 1