



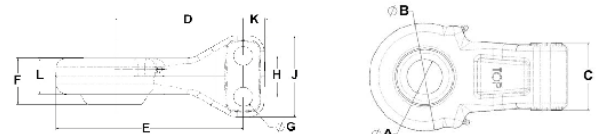
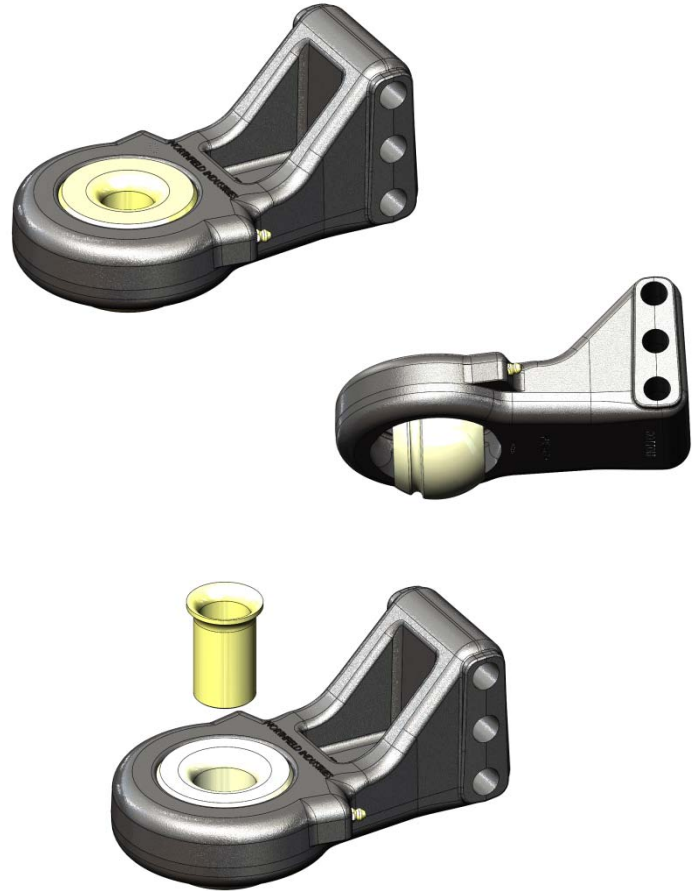
Cat.3 AB Hitch - BH3SAB3HSA

Hitch Capacity

- 22,000 lbf. Max. Vertical Load
- 95,000 lbf. Max. Draft Load
- Max. Drawpin Size 1.25"
- Up to 248 H.P.

FEATURES AND INSTALLATION

- Newly designed with an articulating ball joint, the Power Pin Articulating Ball Hitch reduces wear and tear on the equipment. Standard draw pin diameters of 1 1/4", 1 1/2", 2" and 2 3/4" are easily installed because it allows you to still use the "Drop Pin" feature which is standard on most North American tractors. Since the ball joint is articulated there is no longer any need for excessive slack in the connection to accommodate for tight turns and rough terrain. Another great advantage of this Articulating Ball Hitch is smoother operation and the increased control for GPS navigation. The Bushing can be changed out without tools, flip ball sideways and pull out from bottom to change and flanged bushings to reduce pin size. (see chart below)
- Product is made of Austempered Ductile Iron Grade 3 in accordance to ASTM 897-90 Standard.
- The Articulating Ball Design allows 45 degrees of articulation.
- Huge contact area dramatically reduces drawpin and implement Hitch wear.
- All hitches are design accordance to **ISO 21244-2008**
- When mounting Hitch into Bracket there should be no play between hitch and bracket. If so, use shims or washers to take up the slack before using Gr.8 bolts to mount it tight. This is to help from shearing off the bolts when under extreme side loads.
- Hitch Bracket thickness – 5/8" minimum (not supplied)



MOUNTING DIMENSIONS

- Mounting holes 1.50" apart with 3/4" holes and base width 4.00".
- Use (3) 3/4" Dia. grade 8 fasteners. (Not included)

BUSHING OPTION

- Additional Bushings can be purchased separately to fit different drawpin sizes.

	CATEGORY 3					CATEGORY 4					CATEGORY 5	
	BH3SABLA	BH3SABA	BH3SABA	BH3SAB3HA	BH3SAB3HSA	BH4SABA	BH4SABA	BH4SAB3HA	BH4SAB3HSA	BH4SAB3HSSA	BH5SABA	BH5SABA
A = Draw Pin Size	2"	1.5"	1.25"	1.5"	1.25"	2"	1.5"	2"	1.5"	1.25"	2.75"	2"
B = Ball Housing Diameter	5.62"	5.62"	5.62"	5.62"	5.62"	5.8"	5.8"	5.62"	5.62"	5.62"	7.25"	7.25"
C = Receiver Width	3.96"	3.96"	3.96"	3.96"	3.96"	3.96"	3.96"	3.96"	3.96"	3.96"	3.96"	3.96"
D = Draw Pin to Hole Mounting	6.91"	6.91"	6.91"	6.32"	6.32"	6.92"	6.92"	7"	7"	7"	7.57"	7.57"
E = Nose to Hole Mounting	9.72"	9.72"	9.72"	9.12"	9.12"	10.07"	10.07"	9.82"	9.82"	9.82"	11.20"	11.20"
F = Ball Thickness	2.66"	2.53"	2.53"	2.53"	2.53"	2.66"	2.53"	2.66"	2.53"	2.53"	2.88"	2.75"
G = Bolt Hole Size	1"	1"	1"	.77"	.77"	1"	1"	1"	1"	1"	1"	1"
H = Bolt Hole Distance	2.25"	2.25"	2.25"	1.5"	1.5"	2.25"	2.25"	2.25"	2.25"	2.25"	2.25"	2.25"
Number of Bolts in Receiver	2	2	2	3	3	2	2	3	3	3	3	3
J = Receiver Height	4.5"	4.5"	4.5"	4.5"	4.5"	4.5"	4.5"	6.75"	6.75"	6.75"	6.75"	6.75"
K = Hole Center to Back	1.18"	1.18"	1.18"	.87"	.87"	1.18"	1.18"	1.18"	1.18"	1.18"	1.18"	1.18"
L = Tongue Thickness	1.94"	1.94"	1.94"	1.88"	1.88"	2"	2"	2.06"	2.06"	2.06"	2.38"	2.38"
Weight (lbs.)	25.5	25.5	25.5	22.8	23	27	27	31	31	31	41.8	42.8

Flanged Bushing Options			Replacement Bushings		
HM34F	Flanged Bushing Cat.5	2.00" ID & 2.75" OD	HM31B	Spherical Bushing Cat. 3&4	2.00" ID
HM35F	Flanged Bushing Cat.3&4	1.50" ID & 2.00" OD	HM32B	Spherical Bushing Cat. 3&4	1.50" ID
HM37F	Flanged Bushing Cat.3&4	1.25" ID & 2.00" OD	HM33B	Spherical Bushing Cat. 5	2.75" ID
HM38F	Flanged Bushing Cat.3&4	1.25" ID & 1.50" OD	HM36B	Spherical Bushing Cat. 3	1.25" ID
			HM42B	Spherical Bushing Cat. 5	2.00" ID